

# CS-621SX

Serial number: 38000001-38999999

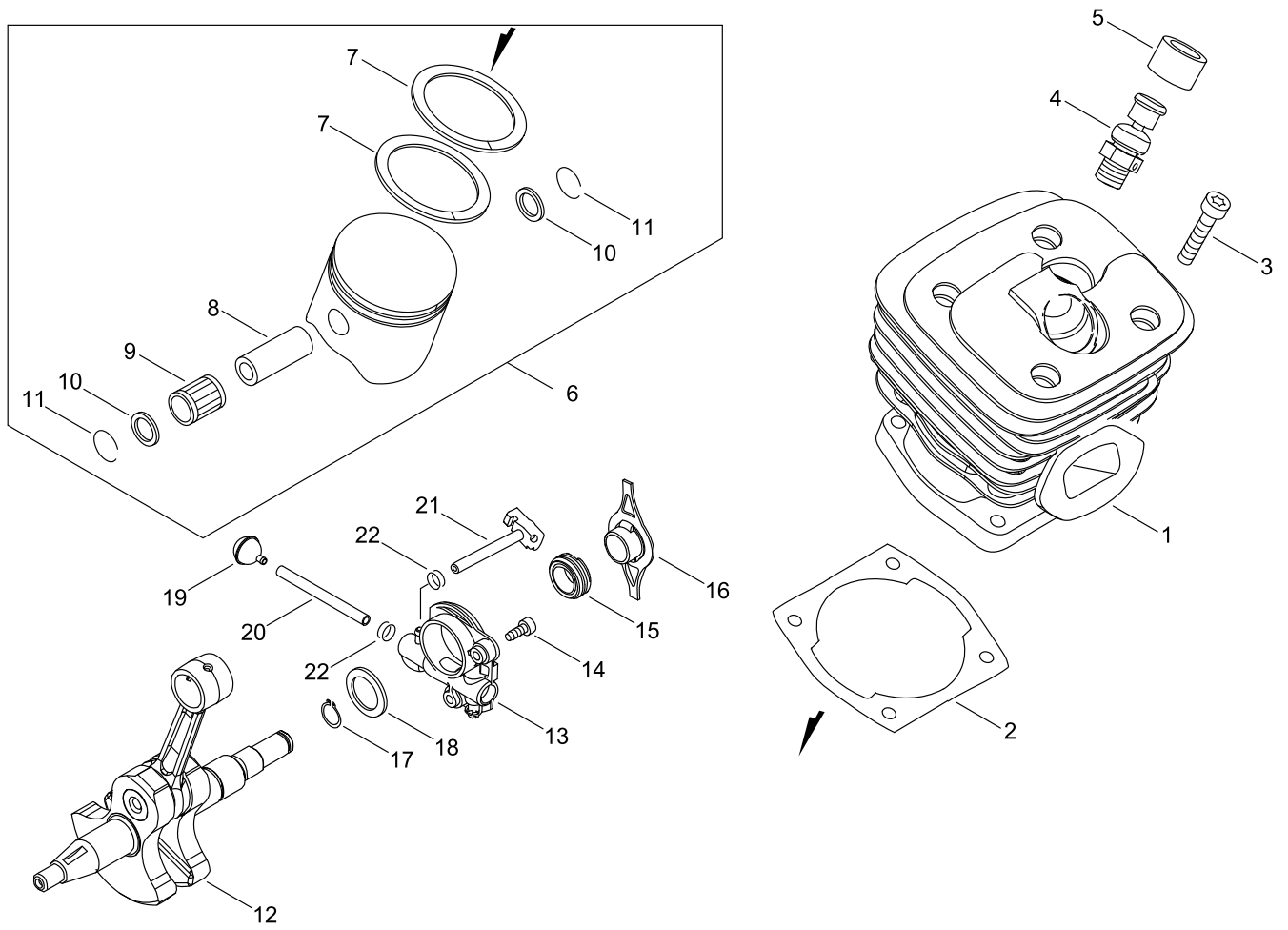
Last update date: 01/28/2020

## TABLE OF CONTENTS

---

CYLINDER, PISTON, CRANKSHAFT.....	1
CRANKCASE .....	3
MAGNETO.....	5
AIR CLEANER, CARBURETOR.....	7
CARBURETOR.....	9
MUFFLER .....	11
RECOIL STARTER.....	13
HANDLE .....	15
CHAIN BRAKE.....	17
ACCESSORIES .....	19
OILER.....	21
GUIDE BAR, CHAIN .....	23

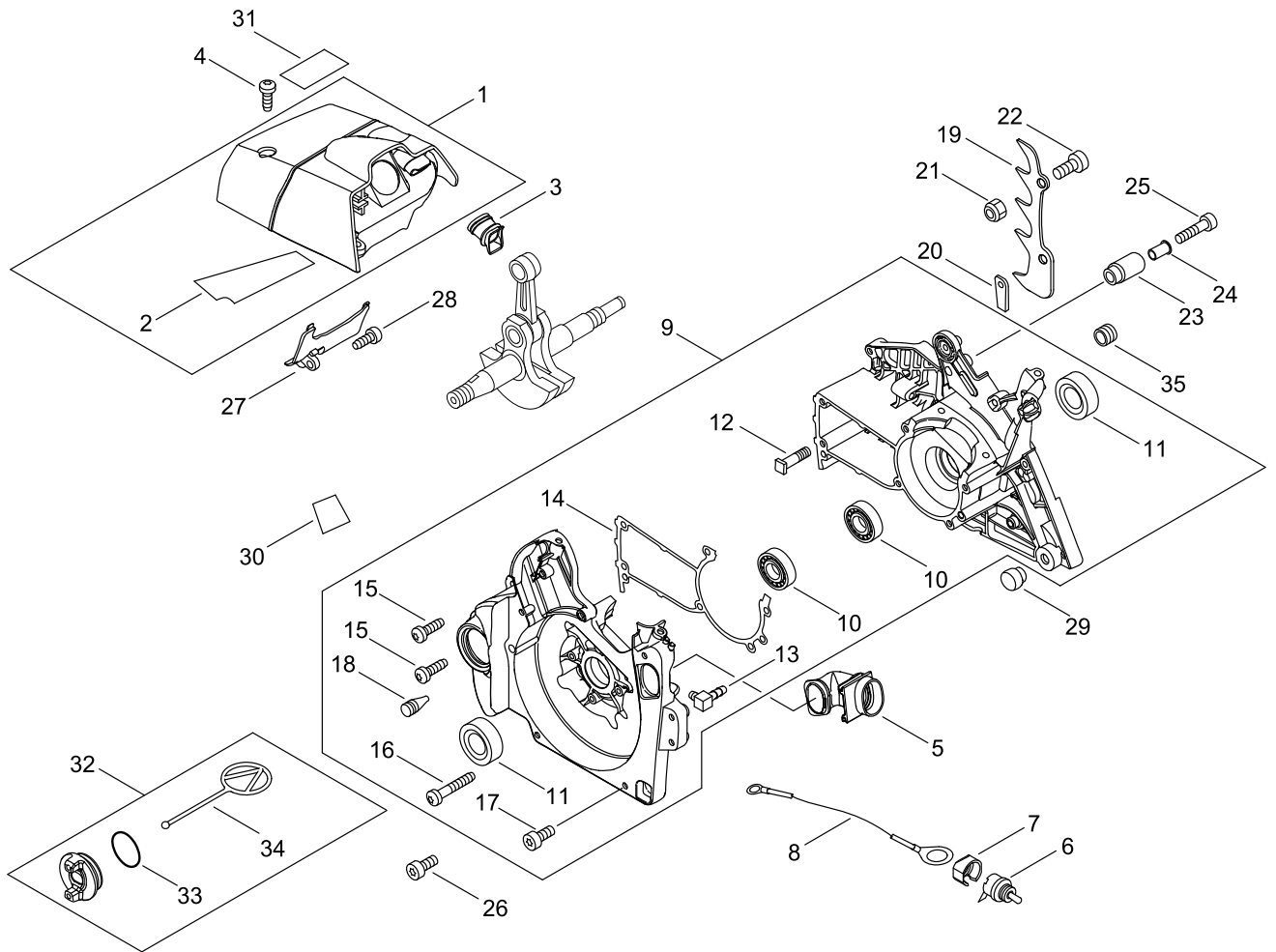
# CYLINDER, PISTON, CRANKSHAFT



## CYLINDER, PISTON, CRANKSHAFT

Key No.	LV (+)	Part No	Description	Qty	Standard
1		A130-002420	CYLINDER	1	
2		V100-000270	GASKET,CYL	1	
3		V805-000220	BOLT, TORX 5	4	TB-5*25 12.9
4		A014-000110	RELEASE ASY., COMP.	1	
5		V141-000090	GROMMET,PLUG	1	
6		P100-008850	PISTON KIT	1	
7	+	A101-000780	RING, PISTON	2	45*1.2*1.7
8	+	V609-000080	PIN,ENG 11	1	7*11*37.6HL
9	+	V556-000050	BEARING,NEEDLE 11	1	KBK11*15*15.8*3
10	+	V308-000040	WASHER,CIRCULAR 11	2	11.2*19.5*0.5
11	+	V580-000120	RING,END	2	
12		A011-001270	CRANKSHAFT,ASY	1	CSB-620PW
13		C022-000053	AUTO-OILER ASSEMBLY	1	ZP02A
14		V804-000000	BOLT, TORX 4	2	TT-4*12 DG 10.9
15		V652-000050	GEAR,WORM	1	
16		V358-000090	COLLAR,14	1	
17		900701-00015	RETAINING RING, EXTERNAL	1	CS-15
18		V311-000090	WASHER,CIRCULAR 16-1	1	15.5*22.5*0.5
19		436205-14730	STRAINER, OIL	1	
20		437210-30831	PIPE	1	3*6*210
21		V470-000831	PIPE	1	
22		V490-001240	CLIP	2	

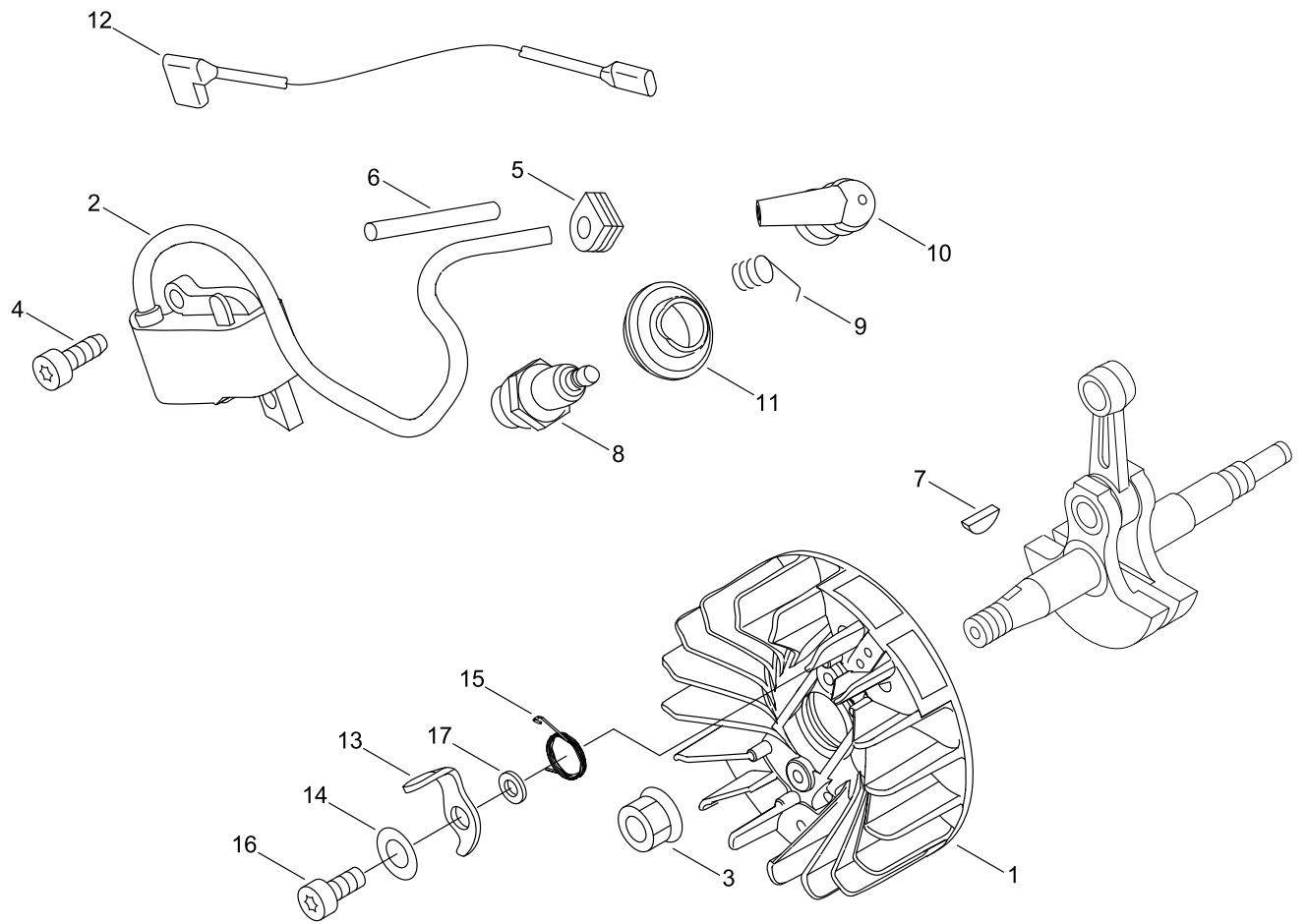
# CRANKCASE



## CRANKCASE

Key No.	LV (+)	Part No	Description	Qty	Standard
1		P100-002830	CYLINDER COVER ASY	1	
2	+	V341-000140	WASHER,SQUARE	1	75*32*0.15
3		A239-000070	PIPE, INTAKE	1	
4		V805-000000	BOLT, TORX 5	3	TT-5*16 DG 10.9
5		A239-000060	PIPE, INTAKE	1	
6		A440-001190	SWITCH, ON OFF	1	
7		A472-000091	CASE,SWITCH	1	
8		V485-001101	LEAD	1	L:170/LA105
9		P200-000960	CRANKCASE SET	1	
10	+	94036-46202	BEARING, BALL	2	6202
11	+	V508-000100	SEAL,OIL 15	2	ISCD 15*25*7
12	+	433011-19831	STUD, GUIDE BAR	2	
13	+	437239-14730	NIPPLE	1	
14	+	V102-000060	GASKET,CRANKCASE	1	T0.4
15	+	V805-000010	BOLT, TORX 5	2	TT-5*20 DG 10.9
16	+	V805-000020	BOLT, TORX 5	4	TT-5*35 DG 10.9
17	+	V805-000160	BOLT, TORX 5	4	TB-5*20 10.9
18	+	436114-13930	VALVE, CHECK	1	
19		C304-000290	SPIKED	1	
20		V376-001890	SPACER	1	
21		900560-00005	NUT, LOCK	1	5
22		V805-000250	BOLT, TORX 5	2	TB-5*16 12.9
23		C310-000030	CATCHER,CHAIN	1	
24		V353-000120	COLLAR,5	1	
25		V805-000020	BOLT, TORX 5	1	TT-5*35 DG 10.9
26		V805-000170	BOLT, TORX 5	1	TB-5*25 10.9
27		E106-000020	GUIDE,AIR	1	
28		V805-000000	BOLT, TORX 5	1	TT-5*16 DG 10.9
29		V420-003800	CUSHION	2	
30		V376-001780	SPACER	1	
31		890345-39231	LABEL,CAUTION	1	
32		P100-004881	CAP,OIL ASY	1	
33	+	900720-20029	O-RING	1	P-29
34	+	A365-000050	CONNECTOR,CAP	1	
35		132115-01462	GROMMET	1	

# MAGNETO

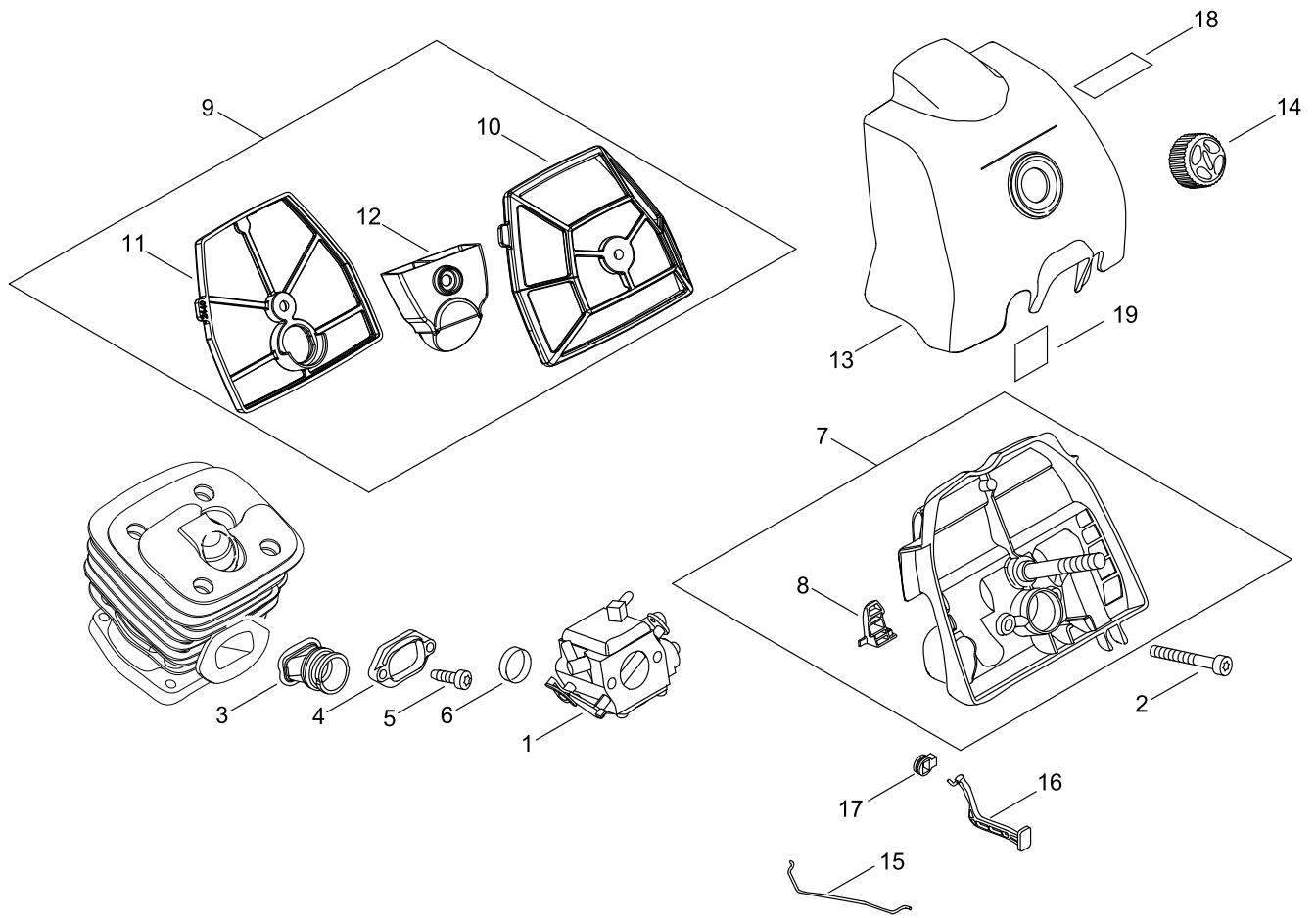


## MAGNETO

Key No.	LV (+)	Part No	Description	Qty	Standard
1		A409-000360	ROTOR, MAGNETO	1	
2		P100-008870	COIL, IGNITION	1	
3		900515-00008	NUT, FLANGE	1	8
4		V805-000000	BOLT, TORX 5	2	TT-5*16 DG 10.9
5		156110-04920	BUSHING	1	
6		V475-004130	TUBE	1	
7		100142-30830	KEY, WOODRUFF	1	
8		A425-000000	SPARKPLUG	1	BPMR8Y
9		A426-000010	TERMINAL, SPARKPLUG	1	
10		A427-000013	CAP, SPARK PLUG	1	
11		A429-000040	COVER, CAP	1	
12		V485-001091	LEAD	1	AVX0.75F
13		177218-19830	PAWL, STARTER	2	
14		900603-00005	WASHER	2	5
15		177234-35430	SPRING, RETURN	2	
16		V835-000000	BOLT, TORX 5	2	
17		177247-04630	SPACER, RATCHET	2	5.2*8*2.1



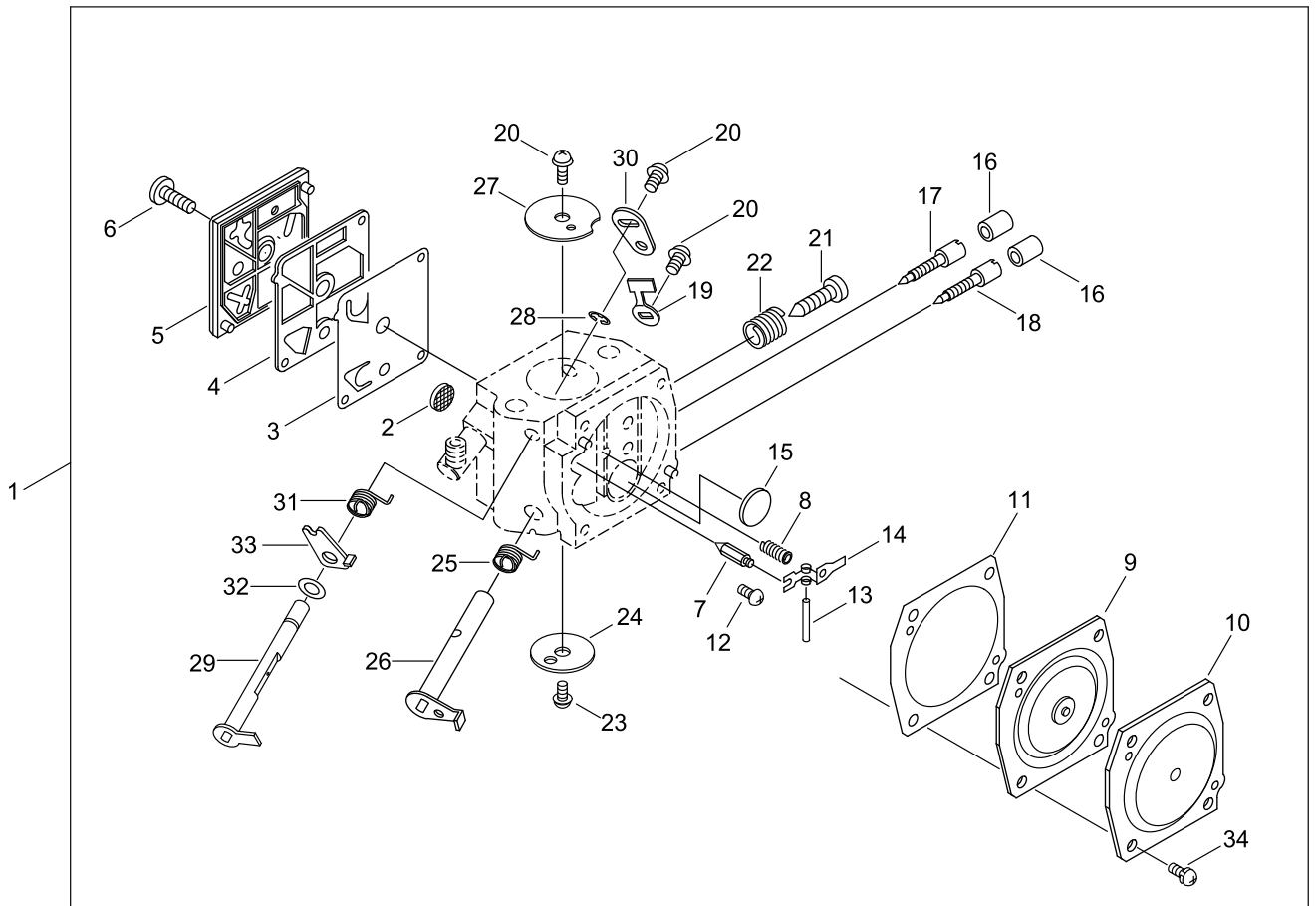
# AIR CLEANER, CARBURETOR



## AIR CLEANER, CARBURETOR

Key No.	LV (+)	Part No	Description	Qty	Standard
1		A021-005220	CARBURETOR, DIAPHRAGM	1	HDA-346
2		V805-000080	BOLT, TORX 5	2	TB-5*50 10.9
3		A202-000081	BELLOWS, INTAKE	1	
4		A206-000010	HOLDER, BELLOWS	1	
5		V805-000000	BOLT, TORX 5	2	TT-5*16 DG 10.9
6		V360-000060	COLLAR,18	1	
7		P021-016023	CASE,CLEANER	1	
8	+	A219-000000	SHUTTER, AIR	1	
9		P021-016372	ELEMENT,AIR FILTER	1	
10	+	A226-000441	ELEMENT, AIR FILTER	1	AC-200N
11	+	A226-000452	ELEMENT, AIR FILTER	1	AC-200N
12	+	A244-000080	PLATE, PREVENT	1	
13		A232-000472	LID,CLEANER	1	
14		A235-000191	KNOB,CLEANER LID	1	
15		C454-000170	ROD, THROTTLE	1	
16		A241-000171	KNOB, CHOKE	1	
17		V130-000030	GROMMET,CHOKE	1	
18		X503-015410	LABEL,MODEL	1	CS-621SX
19		890157-39131	LABEL, SWITCH	1	

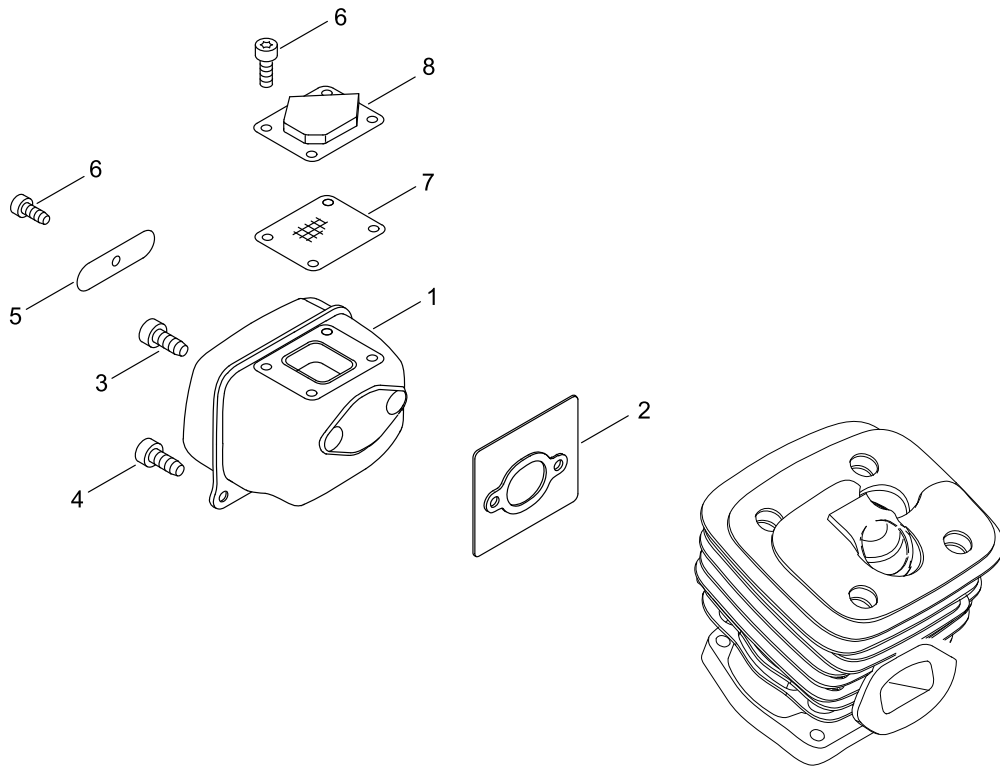
# CARBURETOR



## CARBURETOR

Key No.	LV (+)	Part No	Description	Qty	Standard
1		A021-005220	CARBURETOR, DIAPHRAGM	1	HDA-346
2	+	123126-10631	SCREEN, INLET	1	
3	+	123112-12330	DIAPHRAGM, FUEL PUMP	1	
4	+	123125-12330	GASKET, FUEL PUMP	1	
5	+	123124-19830	COVER, FUEL PUMP	1	
6	+	123110-16130	SCREW, PUMP COVER	1	
7	+	123137-19830	VALVE, INLET NEEDLE	1	
8	+	123122-32630	SPRING, METER. LEVER	1	
9	+	P003-004920	DIAPHRAGM ASSY	1	95-649
10	+	123142-17330	COVER, M. DIAPHRAGM	1	
11	+	123140-16130	GASKET, M. DIAPHRAGM	1	
12	+	123139-03930	SCREW, M. LEVER PIN	1	
13	+	123138-03930	PIN, METERING LEVER	1	
14	+	123123-18330	LEVER, METERING	1	
15	+	123146-10631	PLUG, WELCH	1	
16	+	P003-000010	LIMITER CAP	2	
17	+	P003-006160	NEEDLE	1	
18	+	P003-006160	NEEDLE	1	
19	+	123156-30830	STOP, THROTTLE	1	
20	+	123114-38830	SCREW	3	
21	+	123134-04260	SCREW, IDLE ADJUST	1	
22	+	123133-04260	SPRING, IDLE ADJUST	1	
23	+	P003-002380	SCREW	1	
24	+	123132-16130	VALVE, CHOKE	1	
25	+	P003-000560	SPRING, THRT. RETURN	1	
26	+	P003-002280	SHAFT, THROTTLE	1	
27	+	123116-16130	VALVE, THROTTLE	1	
28	+	123127-15030	RING	1	
29	+	P003-002290	SHAFT, CHOKE	1	
30	+	P003-002300	LEVER, CHOKE	1	
31	+	P003-000610	SPRING	1	
32	+	123149-26030	WASHER	1	
33	+	P003-000620	LEVER-FAST IDLE	1	
34	+	123130-02960	SCREW	4	

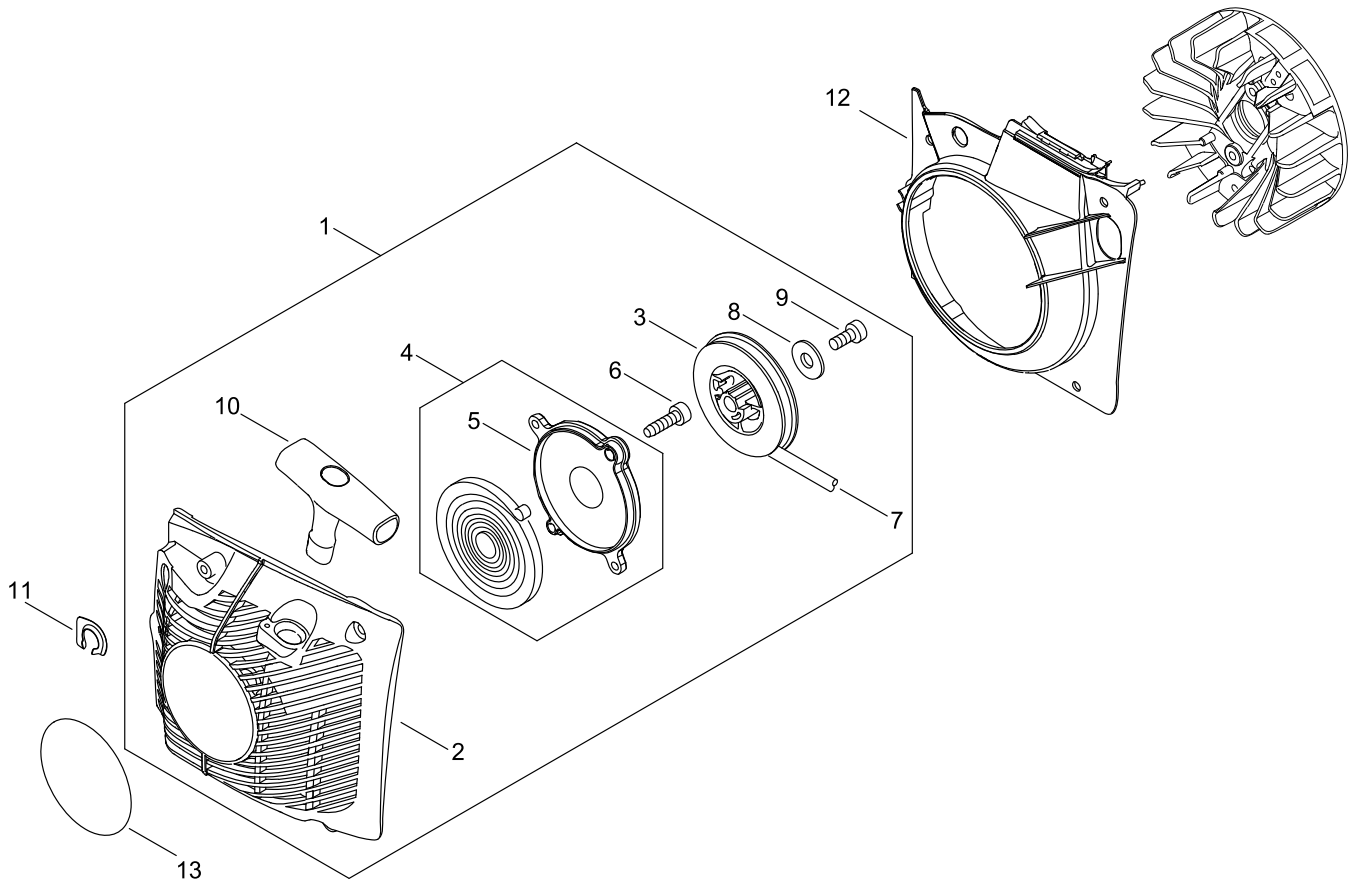
# MUFFLER



## MUFFLER

Key No.	LV (+)	Part No	Description	Qty	Standard
1		A300-001811	MUFFLER, EXHAUST	1	フランジホキヨウWPカツハ°
2		V104-002150	GASKET,EXHAUST	1	T 1.6
3		V805-000210	BOLT, TORX 5	2	TB-5*20 12.9
4		V855-000010	BOLT, TORX 5	2	TB-5*25 12.9
5		A301-000030	PLATE, MUFFLER	1	T0.5
6		V804-000030	BOLT, TORX 4	5	TB-4*8 10.9
7		A310-000100	SCREEN, ARRESTOR	1	
8		A031-000040	GUIDE, EXHAUST	1	ID#2110

# RECOIL STARTER

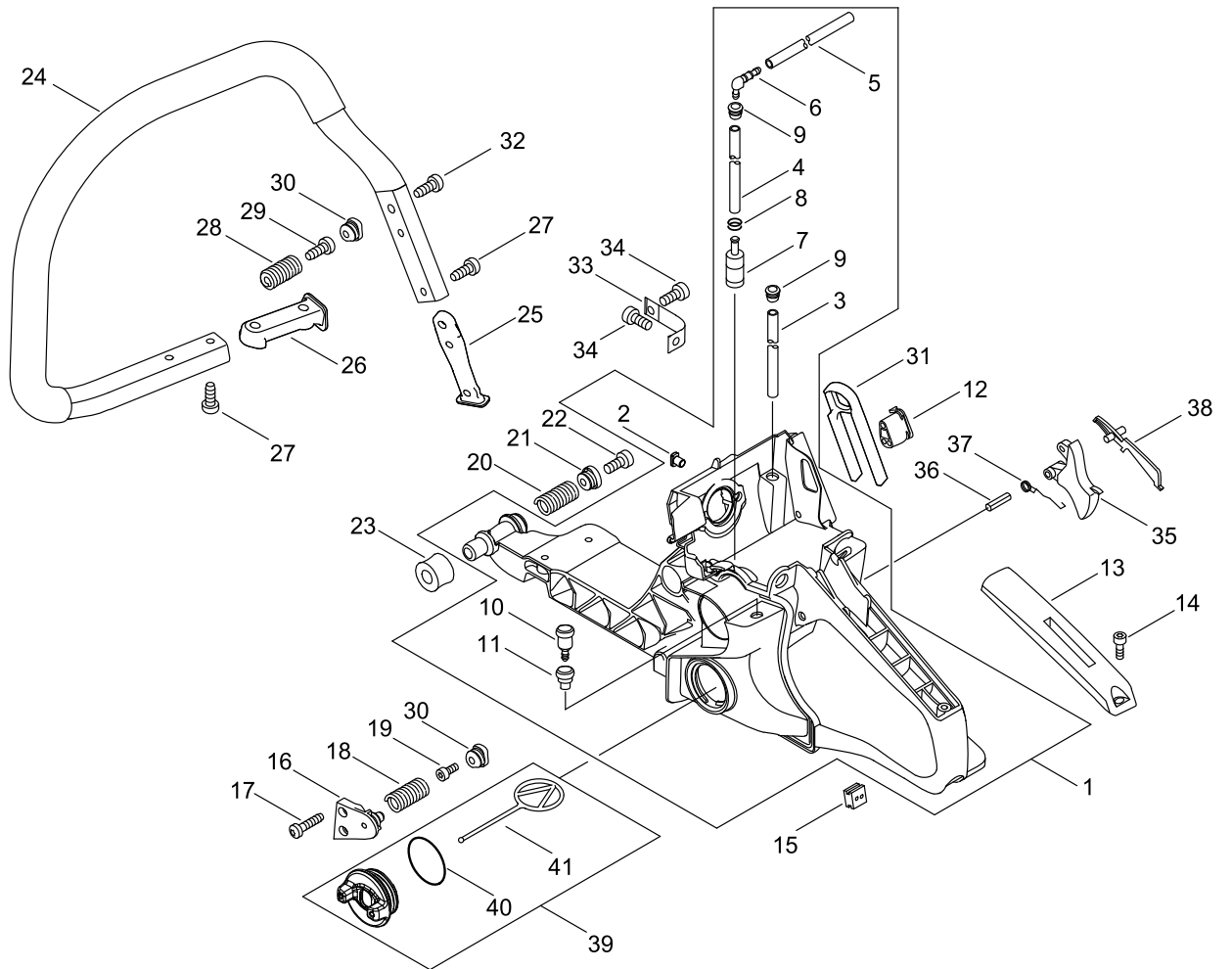


## RECOIL STARTER

Key No.	LV (+)	Part No	Description	Qty	Standard
1		P100-007950	STARTER ASY	1	
2	+	P100-007940	CASE,STARTER	1	
3	+	A506-000112	REEL, ROPE	1	
4	+	P100-002890	SPRING KIT, REWIND	1	
5	++	A503-000032	PLATE, STARTER	1	
6	+	V804-000000	BOLT, TORX 4	2	TT-4*12 DG 10.9
7	+	A509-000460	ROPE	1	
8	+	177214-02830	WASHER	1	5.2*16*1.0T
9	+	V805-000130	BOLT, TORX 5	1	TB-5*10 10.9
10	+	A511-000300	GRIP,STARTER	1	
11	+	V150-003800	PLATE,EYE	1	
12		A172-000843	COVER,FAN	1	
13		X502-000900	LABEL,ECHO	1	



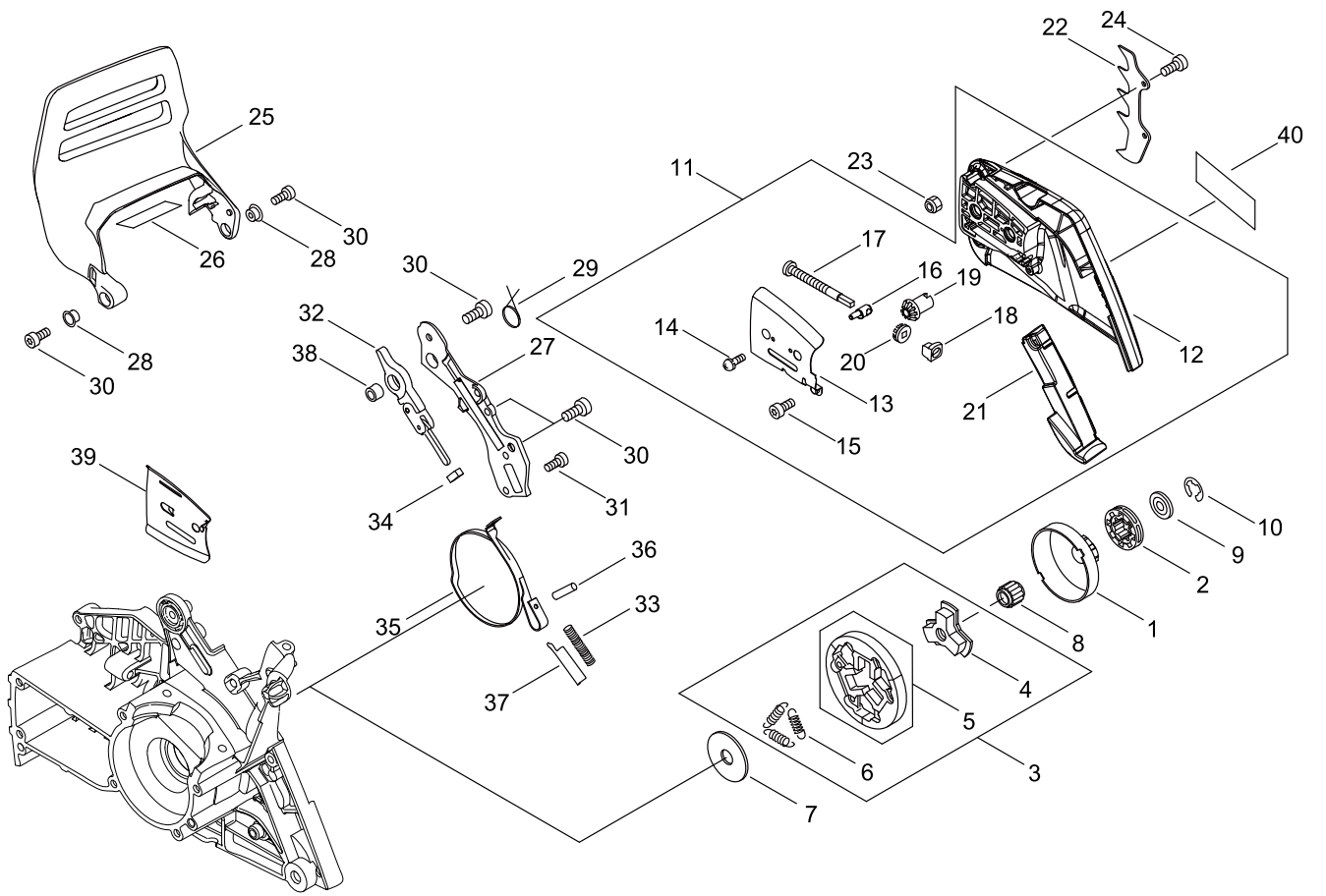
# HANDLE



## HANDLE

Key No.	LV (+)	Part No	Description	Qty	Standard
1		P100-007320	REAR HANDLE ASY	1	
2	+	V263-000450	NUT,5	2	
3	+	130110-30831	PIPE	1	3*6(8)*160
4	+	V471-000601	PIPE	1	3*5*120
5	+	130110-14530	PIPE, IMPULSE	1	3*6*135L
6	+	V186-000500	JOINT,PIPE	1	
7	+	A369-000450	STRAINER, FUEL	1	
8	+	V490-001240	CLIP	1	
9	+	132115-01462	GROMMET	2	
10	+	131300-56431	VENT ASSEMBLY, FUEL	1	
11	+	A359-000001	COVER,VENT	1	22.5*D18*D8.5
12		V131-000020	GROMMET,NEEDLE	1	
13		C411-000001	LID,HANDLE	1	
14		V804-000000	BOLT, TORX 4	1	TT-4*12 DG 10.9
15		150114-04920	BUSHING	1	
16		V456-000090	HOLDER,SPRING	1	
17		V805-000010	BOLT, TORX 5	2	TT-5*20 DG 10.9
18		V450-000760	SPRING,COMPRESSION	1	17*36.7*2.6
19		V805-000230	BOLT, TORX 5	1	TT-5*25 DG 10.9
20		V450-000771	SPRING,COMPRESSION	1	20*40*3.3
21		V456-000101	HOLDER,SPRING	1	
22		V806-000000	BOLT, TORX 6	1	TT-6*20 DG 10.9
23		V404-000210	CUSHION,10	1	
24		C400-001171	HANDLE, FRONT	1	
25		C405-000560	BRACKET,HANDLE	1	
26		C405-000570	BRACKET,HANDLE	1	
27		V805-000010	BOLT, TORX 5	4	TT-5*20 DG 10.9
28		V450-000730	SPRING,COMPRESSION	1	17*38.4
29		V805-000000	BOLT, TORX 5	1	TT-5*16 DG 10.9
30		V456-000080	HOLDER,SPRING	2	14.4
31		V456-000280	HOLDER,SPRING	1	
32		V806-000000	BOLT, TORX 6	1	TT-6*20 DG 10.9
33		C617-000362	STOPPER	1	
34		V805-000000	BOLT, TORX 5	2	TT-5*16 DG 10.9
35		C450-000360	CONTROL, THROTTLE	1	
36		900345-40025	PIN, SPRING	1	4*25
37		V452-000260	SPRING,TORSION	1	
38		178090-37930	LOCKOUT, T. CONTROL	1	
39		P100-004891	CAP,FUEL ASY	1	
40	+	V581-000600	RING,O	1	P29
41	+	A365-000050	CONNECTOR,CAP	1	

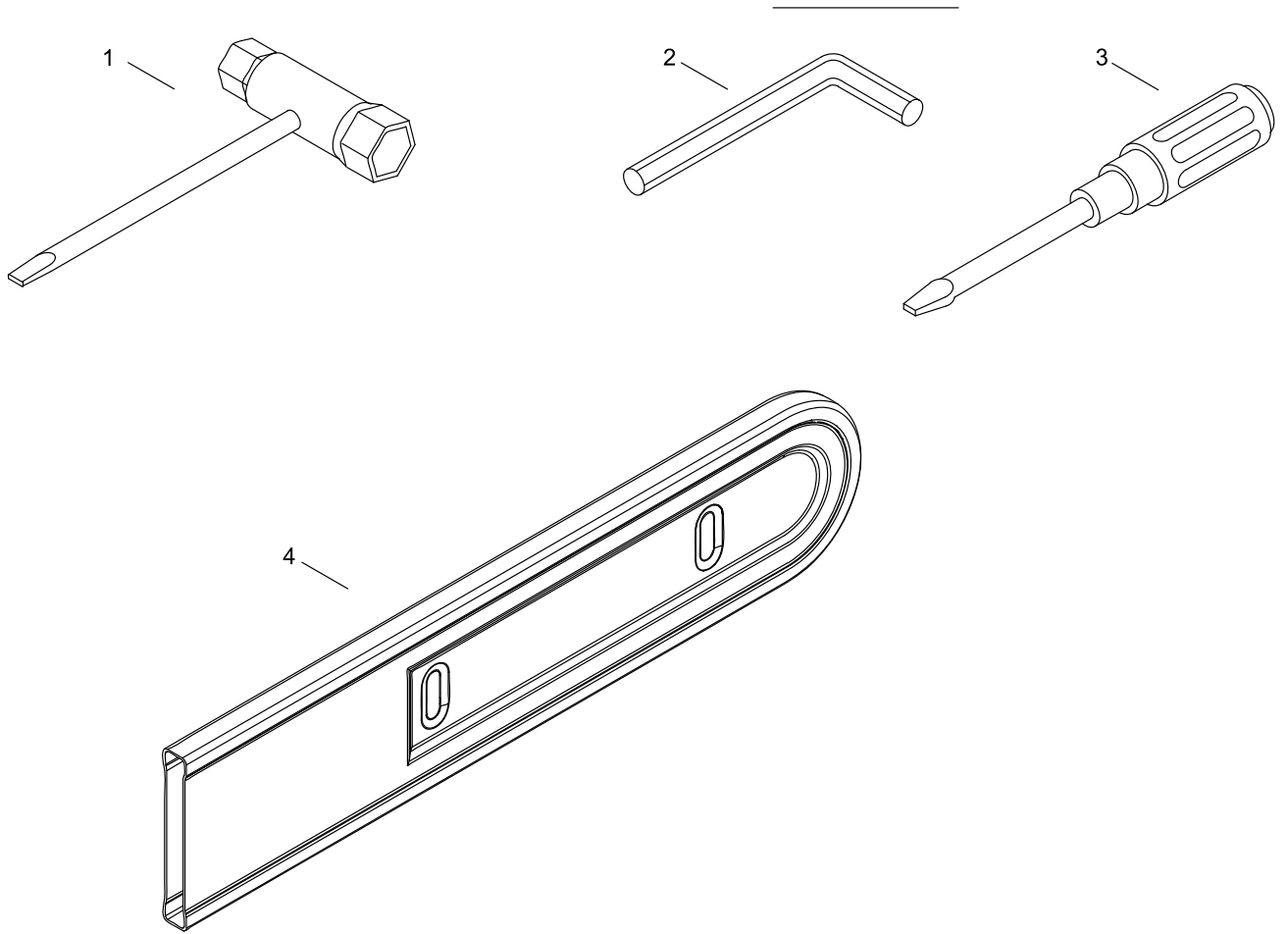
# CHAIN BRAKE



## CHAIN BRAKE

Key No.	LV (+)	Part No	Description	Qty	Standard
1		A556-001610	DRUM, CLUTCH	1	
2		175033-14731	SPROCKET, RIM 68210S	1	
3		A056-000221	CLUTCH ASY	1	VA
4	+	A552-000110	HUB, CLUTCH	1	
5	+	P021-007051	CLUTCH SHOE SET	1	
6	+	V451-000500	SPRING,TENSION	3	
7		A551-000110	PLATE, CLUTCH	1	12*36*2
8		V555-000010	BEARING,NEEDLE 10	1	
9		V307-000520	WASHER,CIRCULAR 10	1	
10		V583-000440	RING	1	8.1 T1.2
11		P100-008890	GUARD, SPROCKET KIT	1	
12	+	C300-001200	GUARD, SPROCKET	1	
13	+	C305-000101	PLATE,SPROCKET GUARD	1	
14	+	91325-03005	SCREW, TAPPING	1	3*5
15	+	V804-000000	BOLT, TORX 4	1	TT-4*12 DG 10.9
16	+	C309-000160	TENSIONER, CHAIN	1	
17	+	V203-002140	BOLT,5	1	
18	+	V355-000800	COLLAR,8	1	
19	+	V651-001040	GEAR,BEVEL	1	
20	+	V651-001050	GEAR,BEVEL	1	
21	+	C302-000011	PAD, GUARD	1	
22		C304-000300	SPIKED	1	
23		900560-00005	NUT, LOCK	2	5
24		V805-000300	BOLT, TORX 5	2	TB-5*12 12.9
25		C320-000182	LEVER, BRAKE	1	
26		V341-000131	WASHER,SQUARE	1	75*27*0.15
27		C345-000283	COVER,BRAKE	1	
28		V356-000440	COLLAR,10	2	11.2*16.2*T0.6
29		V452-000400	SPRING,TORSION	1	
30		V805-000000	BOLT, TORX 5	5	TT-5*16 DG 10.9
31		V804-000000	BOLT, TORX 4	1	TT-4*12 DG 10.9
32		C334-000111	CONNECTOR, BRAKE	1	ASSY
33		V450-000740	SPRING,COMPRESSION	1	12*70.5
34		V376-000450	SPACER	1	
35		C328-000121	BAND, BRAKE	1	
36		93050-30098	ROLLER	1	3*9.8
37		C603-000220	PLATE, SIDE	1	T0.3
38		V356-000470	COLLAR,10	1	12*10*T1.0
39		C305-000111	PLATE,SPROCKET GUARD	1	
40		X502-000340	LABEL,ECHO	1	ECHO(WHITE)

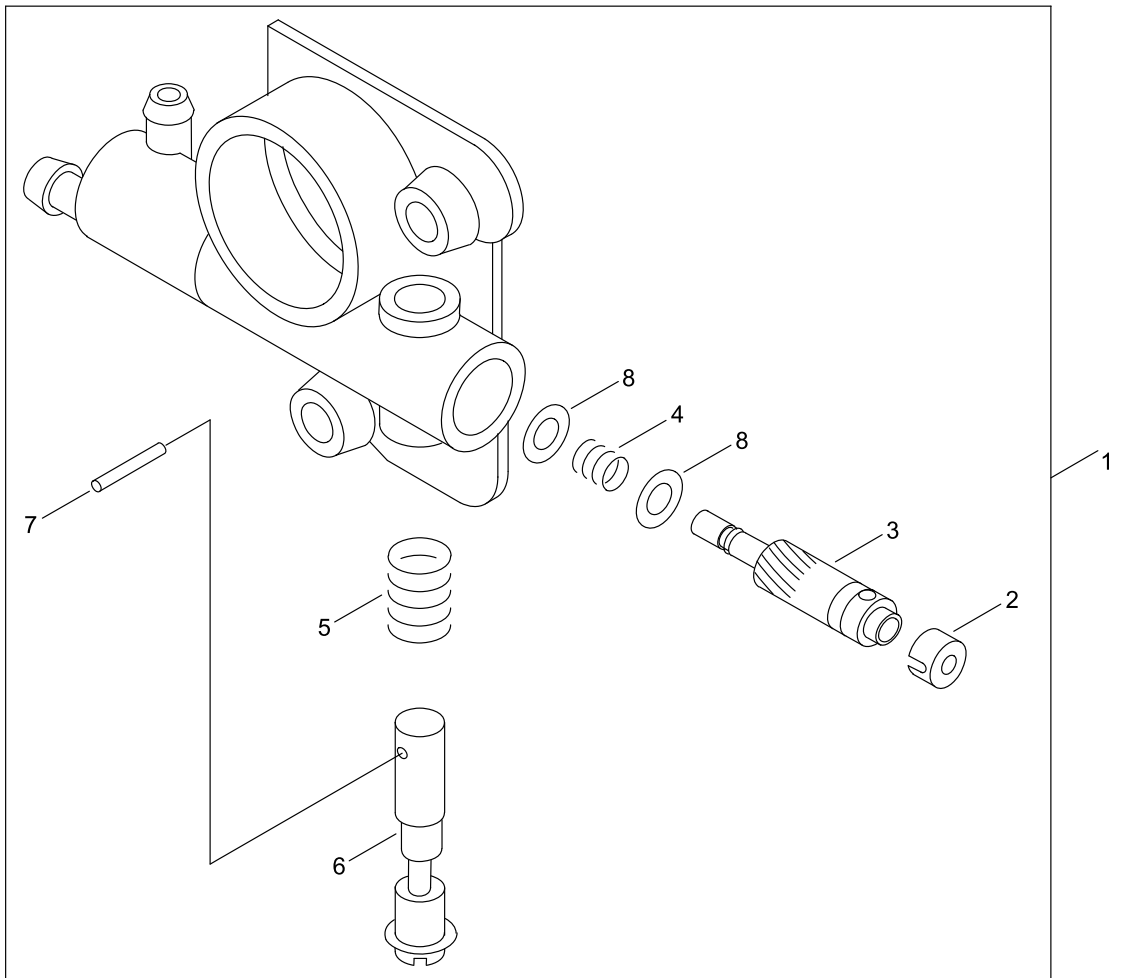
# ACCESSORIES



## ACCESSORIES

Key No.	LV (+)	Part No	Description	Qty	Standard
1		X602-000080	TOOL,WRENCH	1	13*19 L180
2		X605-000190	TOOL,L WRENCH	1	T27 120*80
3		895812-03930	DRIVER, SCREW 50	1	
4		X490-000720	SCABBARD,CHAIN	1	

OILER





## OILER

Key No.	LV (+)	Part No	Description	Qty	Standard
1		C022-000053	AUTO-OILER ASSEMBLY	1	ZP02A
2	+	P022-038170	CAP, PLUNGER	1	
3	+	P022-038180	SHAFT ASY-PLUNGER	1	
4	+	P022-049820	SPRING, PLUNGER	1	
5	+	P022-010670	SPRING	1	
6	+	P022-038200	SCREW KIT, ADJUST	1	
7	+	P022-038210	SPRING PIN	1	
8	+	P022-049140	WASHER	2	



GUIDE BAR, CHAIN

Pitch ピッチ  (inch) (mm)	Gauge ゲージ  (inch) (mm)	Length 長さ  (cm)	Guide Bar ガイドバー		Saw Chain ソーチェーン		Chain Scabbard チェーン スカバード		Hard Nose ハード ノーズ  	Sprocket Nose スプロケット ノーズ  
			Key №	Type 形式	Key №	Type 形式	Key №	Length 長さ (cm)		
3/8 9.53	0.058 1.47	45	A1	S45R73-64AA- ED	A2	73LPX-64	/	/		●
3/8 9.53	0.058 1.47	45	B1	S45R73-64AA- ED	B2	73EXL-64	/	/		●
3/8 9.53	0.058 1.47	50	C1	S50R73-72AA- ED	C2	73LPX-72	/	/		●
3/8 9.53	0.058 1.47	50	D1	S50R73-72AA- ED	D2	73EXL-72	/	/		●
3/8 9.53	0.058 1.47	60	E1	S60R73-84AA- ED	E2	73LPX-84	E3	65		●
3/8 9.53	0.058 1.47	60	F1	S60R73-84AA- ED	F2	73EXL-84	F3	65		●

## GUIDE BAR, CHAIN

Key No.	LV (+)	Part No	Description	Qty	Standard
A1		X125-000261	BAR,GUIDE 45	1	S45R73-64AA-ED
A2		X265-000060	CHAIN,SAW	1	73LPX-64
B1		X125-000261	BAR,GUIDE 45	1	S45R73-64AA-ED
B2		X265-000070	CHAIN,SAW	1	73EXL-64
C1		X126-000191	BAR,GUIDE 50	1	S50R73-72AA-ED
C2		X266-000060	CHAIN,SAW	1	73LPX-72
D1		X126-000191	BAR,GUIDE 50	1	S50R73-72AA-ED
D2		X266-000090	CHAIN,SAW	1	73EXL-72
E1		X128-000051	BAR,GUIDE 60	1	S60R73-84AA-ED
E2		X268-000040	CHAIN,SAW	1	73LPX-84
E3		X490-000710	SCABBARD,CHAIN	1	
F1		X128-000051	BAR,GUIDE 60	1	S60R73-84AA-ED
F2		X268-000060	CHAIN,SAW	1	73EXL-84
F3		X490-000710	SCABBARD,CHAIN	1	

# NUMERICAL PARTS INDEX

Part No	Part description	Page	Part No	Part description	Page	Part No	Part description	Page
100142-30830	KEY, WOODRUFF	6	900515-00008	NUT, FLANGE	6	A506-000112	REEL, ROPE	14
123110-16130	SCREW, PUMP COVER	10	900560-00005	NUT, LOCK	4	A509-000460	ROPE	14
123112-12330	DIAPHRAGM, FUEL PUMP	10	900560-00005	NUT, LOCK	18	A511-000300	GRIP,STARTER	14
123114-38830	SCREW	10	900603-00005	WASHER	6	A551-000110	PLATE, CLUTCH	18
123116-16130	VALVE, THROTTLE	10	900701-00015	RETAINING RING, EXTERNAL	2	A552-000110	HUB, CLUTCH	18
123122-32630	SPRING, METER. LEVER	10	900720-20029	O-RING	4	A556-001610	DRUM, CLUTCH	18
123123-18330	LEVER, METERING	10	91325-03005	SCREW, TAPPING	18	C022-000053	AUTO-OILER ASSEMBLY	2
123124-19830	COVER, FUEL PUMP	10	93050-30098	ROLLER	18	C022-000053	AUTO-OILER ASSEMBLY	22
123125-12330	GASKET, FUEL PUMP	10	94036-46202	BEARING, BALL	4	C300-001200	GUARD, SPROCKET	18
123126-10631	SCREEN, INLET	10	A011-001270	CRANKSHAFT,ASY	2	C302-000011	PAD, GUARD	18
123127-15030	RING	10	A014-000110	RELEASE ASY., COMP.	2	C304-000290	SPIKED	4
123130-02960	SCREW	10	A021-005220	CARBURETOR, DIAPHRAGM	8	C304-000300	SPIKED	18
123132-16130	VALVE, CHOKE	10	A021-005220	CARBURETOR, DIAPHRAGM	10	C305-000101	PLATE,SPROCKET GUARD	18
123133-04260	SPRING, IDLE ADJUST	10	A031-000040	GUIDE, EXHAUST	12	C305-000111	PLATE,SPROCKET GUARD	18
123134-04260	SCREW, IDLE ADJUST	10	A056-000221	CLUTCH ASY	18	C309-000160	TENSIONER, CHAIN	18
123137-19830	VALVE, INLET NEEDLE	10	A101-000780	RING, PISTON	2	C310-000030	CATCHER,CHAIN	4
123138-03930	PIN, METERING LEVER	10	A130-002420	CYLINDER	2	C320-000182	LEVER, BRAKE	18
123139-03930	SCREW, M. LEVER PIN	10	A172-000843	COVER,FAN	14	C328-000121	BAND, BRAKE	18
123140-16130	GASKET, M. DIAPHRAGM	10	A202-000081	BELLOWS, INTAKE	8	C334-000111	CONNECTOR, BRAKE	18
123142-17330	COVER, M. DIAPHRAGM	10	A206-000010	HOLDER, BELLOWS	8	C345-000283	COVER,BRAKE	18
123146-10631	PLUG, WELCH	10	A219-000000	SHUTTER, AIR	8	C400-001171	HANDLE, FRONT	16
123149-26030	WASHER	10	A226-000441	ELEMENT, AIR FILTER	8	C405-000560	BRACKET,HANDLE	16
123156-30830	STOP, THROTTLE	10	A226-000452	ELEMENT, AIR FILTER	8	C405-000570	BRACKET,HANDLE	16
130110-14530	PIPE, IMPULSE	16	A232-000472	LID,CLEANER	8	C411-000001	LID,HANDLE	16
130110-30831	PIPE	16	A235-000191	KNOB,CLEANER LID	8	C450-000360	CONTROL, THROTTLE	16
131300-56431	VENT ASSEMBLY, FUEL	16	A239-000060	PIPE, INTAKE	4	C454-000170	ROD, THROTTLE	8
132115-01462	GROMMET	4	A239-000070	PIPE, INTAKE	4	C603-000220	PLATE, SIDE	18
132115-01462	GROMMET	16	A241-000171	KNOB, CHOKE	8	C617-000362	STOPPER	16
150114-04920	BUSHING	16	A244-000080	PLATE, PREVENT	8	E106-000020	GUIDE,AIR	4
156110-04920	BUSHING	6	A300-001811	MUFFLER, EXHAUST	12	P003-000010	LIMITER CAP	10
175033-14731	SPROCKET, RIM 68210S	18	A301-000030	PLATE, MUFFLER	12	P003-000560	SPRING, THRT. RETURN	10
177214-02830	WASHER	14	A310-000100	SCREEN, ARRESTOR	12	P003-000610	SPRING	10
177218-19830	PAWL, STARTER	6	A359-000001	COVER,VENT	16	P003-000620	LEVER-FAST IDLE	10
177234-35430	SPRING, RETURN	6	A365-000050	CONNECTOR,CAP	4	P003-002280	SHAFT,THROTTLE	10
177247-04630	SPACER, RATCHET	6	A365-000050	CONNECTOR,CAP	16	P003-002290	SHAFT, CHOKE	10
178090-37930	LOCKOUT, T. CONTROL	16	A369-000450	STRAINER, FUEL	16	P003-002300	LEVER, CHOKE	10
433011-19831	STUD, GUIDE BAR	4	A409-000360	ROTOR, MAGNETO	6	P003-002380	SCREW	10
436114-13930	VALVE, CHECK	4	A425-000000	SPARKPLUG	6	P003-004920	DIAPHRAGM ASSY	10
436205-14730	STRAINER, OIL	2	A426-000010	TERMINAL,SPARKPLUG	6	P003-006160	NEEDLE	10
437210-30831	PIPE	2	A427-000013	CAP,SPARK PLUG	6	P021-007051	CLUTCH SHOE SET	18
437239-14730	NIPPLE	4	A429-000040	COVER,CAP	6	P021-016023	CASE,CLEANER	8
890157-39131	LABEL, SWITCH	8	A440-001190	SWITCH, ON OFF	4	P021-016372	ELEMENT,AIR FILTER	8
890345-39231	LABEL,CAUTION	4	A472-000091	CASE,SWITCH	4	P022-010670	SPRING	22
895812-03930	DRIVER, SCREW 50	20	A503-000032	PLATE, STARTER	14	P022-038170	CAP, PLUNGER	22
900345-40025	PIN, SPRING	16						

# NUMERICAL PARTS INDEX

Part No	Part description	Page	Part No	Part description	Page	Part No	Part description	Page
P022-038180	SHAFT ASY-PLUNGER	22	V450-000771	SPRING,COMPRESSION	16	V805-000250	BOLT, TORX 5	4
P022-038200	SCREW KIT, ADJUST	22	V451-000500	SPRING,TENSION	18	V805-000300	BOLT, TORX 5	18
P022-038210	SPRING PIN	22	V452-000260	SPRING,TORSION	16	V806-000000	BOLT, TORX 6	16
P022-049140	WASHER	22	V452-000400	SPRING,TORSION	18	V835-000000	BOLT, TORX 5	6
P022-049820	SPRING, PLUNGER	22	V456-000080	HOLDER,SPRING	16	V855-000010	BOLT, TORX 5	12
P100-002830	CYLINDER COVER ASY	4	V456-000090	HOLDER,SPRING	16	X125-000261	BAR,GUIDE 45	24
P100-002890	SPRING KIT, REWIND	14	V456-000101	HOLDER,SPRING	16	X126-000191	BAR,GUIDE 50	24
P100-004881	CAP,OIL ASY	4	V456-000280	HOLDER,SPRING	16	X128-000051	BAR,GUIDE 60	24
P100-004891	CAP,FUEL ASY	16	V470-000831	PIPE	2	X265-000060	CHAIN,SAW	24
P100-007320	REAR HANDLE ASY	16	V471-000601	PIPE	16	X265-000070	CHAIN,SAW	24
P100-007940	CASE,STARTER	14	V475-004130	TUBE	6	X266-000060	CHAIN,SAW	24
P100-007950	STARTER ASY	14	V485-001091	LEAD	6	X266-000090	CHAIN,SAW	24
P100-008850	PISTON KIT	2	V485-001101	LEAD	4	X268-000040	CHAIN,SAW	24
P100-008870	COIL, IGNITION	6	V490-001240	CLIP	2	X268-000060	CHAIN,SAW	24
P100-008890	GUARD, SPROCKET KIT	18	V490-001240	CLIP	16	X490-000710	SCABBARD,CHAIN	24
P200-000960	CRANKCASE SET	4	V508-000100	SEAL,OIL 15	4	X490-000720	SCABBARD,CHAIN	20
V100-000270	GASKET,CYL	2	V555-000010	BEARING,NEEDLE 10	18	X502-000340	LABEL,ECHO	18
V102-000060	GASKET,CRANKCASE	4	V556-000050	BEARING,NEEDLE 11	2	X502-000900	LABEL,ECHO	14
V104-002150	GASKET,EXHAUST	12	V580-000120	RING,END	2	X503-015410	LABEL,MODEL	8
V130-000030	GROMMET,CHOKE	8	V581-000600	RING,O	16	X602-000080	TOOL,WRENCH	20
V131-000020	GROMMET,NEEDLE	16	V583-000440	RING	18	X605-000190	TOOL,L WRENCH	20
V141-000090	GROMMET,PLUG	2	V609-000080	PIN,ENG 11	2			
V150-003800	PLATE,EYE	14	V651-001040	GEAR,BEVEL	18			
V186-000500	JOINT,PIPE	16	V651-001050	GEAR,BEVEL	18			
V203-002140	BOLT,5	18	V652-000050	GEAR,WORM	2			
V263-000450	NUT,5	16	V804-000000	BOLT, TORX 4	2			
V307-000520	WASHER,CIRCULAR 10	18	V804-000000	BOLT, TORX 4	14			
V308-000040	WASHER,CIRCULAR 11	2	V804-000000	BOLT, TORX 4	16			
V311-000090	WASHER,CIRCULAR 16-1	2	V804-000000	BOLT, TORX 4	18			
V341-000131	WASHER,SQUARE	18	V804-000030	BOLT, TORX 4	12			
V341-000140	WASHER,SQUARE	4	V805-000000	BOLT, TORX 5	4			
V353-000120	COLLAR,5	4	V805-000000	BOLT, TORX 5	6			
V355-000800	COLLAR,8	18	V805-000000	BOLT, TORX 5	8			
V356-000440	COLLAR,10	18	V805-000000	BOLT, TORX 5	16			
V356-000470	COLLAR,10	18	V805-000000	BOLT, TORX 5	18			
V358-000090	COLLAR,14	2	V805-000010	BOLT, TORX 5	4			
V360-000060	COLLAR,18	8	V805-000010	BOLT, TORX 5	16			
V376-000450	SPACER	18	V805-000020	BOLT, TORX 5	4			
V376-001780	SPACER	4	V805-000080	BOLT, TORX 5	8			
V376-001890	SPACER	4	V805-000130	BOLT, TORX 5	14			
V404-000210	CUSHION,10	16	V805-000160	BOLT, TORX 5	4			
V420-003800	CUSHION	4	V805-000170	BOLT, TORX 5	4			
V450-000730	SPRING,COMPRESSION	16	V805-000210	BOLT, TORX 5	12			
V450-000740	SPRING,COMPRESSION	18	V805-000220	BOLT, TORX 5	2			
V450-000760	SPRING,COMPRESSION	16	V805-000230	BOLT, TORX 5	16			